

A background image of a golden wheat field under a bright, hazy sky. The wheat stalks are in sharp focus in the foreground, creating a sense of depth and texture. The overall color palette is warm, dominated by yellows and oranges.

OLF

NETWORKING

LFN Developer & Testing Forum

OLF NETWORKING

LFN Developer & Testing Forum

Nephio North Bound API for OSS Integration

Analysis and Potential Approaches

07-June-2023

Syed Atif Husain - syed_ah@infosys.com
Shekhar Chauhan - shekhar02@infosys.com
Girish Kumar - girish_kumar@infosys.com

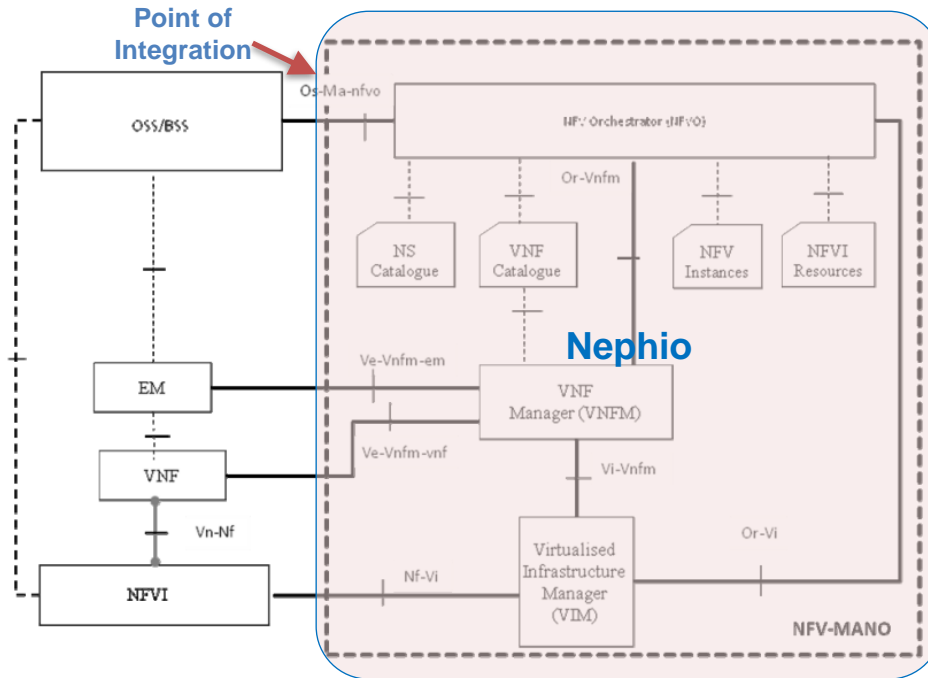
Infosys[®]
Navigate your next

Anti-Trust Policy Notice

- Linux Foundation meetings involve participation by industry competitors, and it is the intention of the Linux Foundation to conduct all of its activities in accordance with applicable antitrust and competition laws. It is therefore extremely important that attendees adhere to meeting agendas, and be aware of, and not participate in, any activities that are prohibited under applicable US state, federal or foreign antitrust and competition laws.
- Examples of types of actions that are prohibited at Linux Foundation meetings and in connection with Linux Foundation activities are described in the Linux Foundation Antitrust Policy available at <http://www.linuxfoundation.org/antitrustpolicy>. If you have questions about these matters, please contact your company counsel, or if you are a member of the Linux Foundation, feel free to contact Andrew Updegrove of the firm of Gesmer Updegrove LLP, which provides legal counsel to the Linux Foundation.

Nephio – Specifications of NorthBound API

Nephio target scope is to orchestrate Cluster Infra and Network Function deployment along with Network Service Topology provisioning which essentially covers the **whole MANO Control plane**.



Potential APIs for Nephio are inspired by Os-Ma-nfvo Interface [SOL005 APIs]

Most Relevant, Priority 1 Operations:

- Network Service Descriptor (NSD) Management and Notifications APIs
- VNF Package Management and Notification APIs
- Network Service Lifecycle Management and Notification APIs

Not so Common, Priority 2 Operations:

- Network Service Performance Management and Notification APIs
- Network Service Fault Management and Notification APIs
- NFVI Capacity Information APIs
- VNF Snapshot Package Management APIs

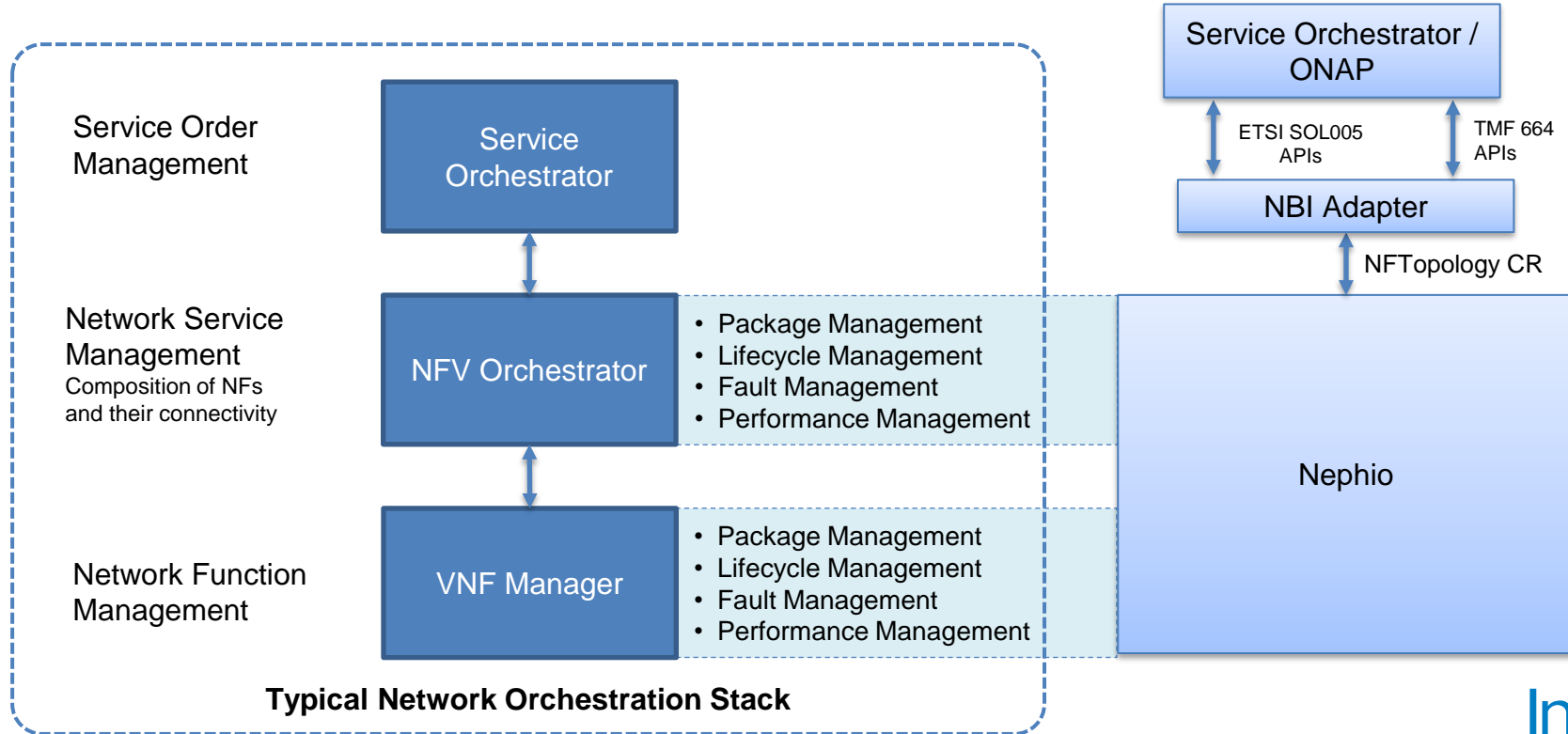
Network Function Package Management in Nephio

- Nephio is managing onboarding of NF packages from External/Vendor Repos via CLI/UI
- Lifecycle Management of packages is driven through Porch based approval workflow
- Currently Network Service package concept is missing but NFTopology* is the first steps towards the same

NFTopology Source: <https://github.com/s3wong/nf-deploy-controller/blob/main/doc/r1-design.md>

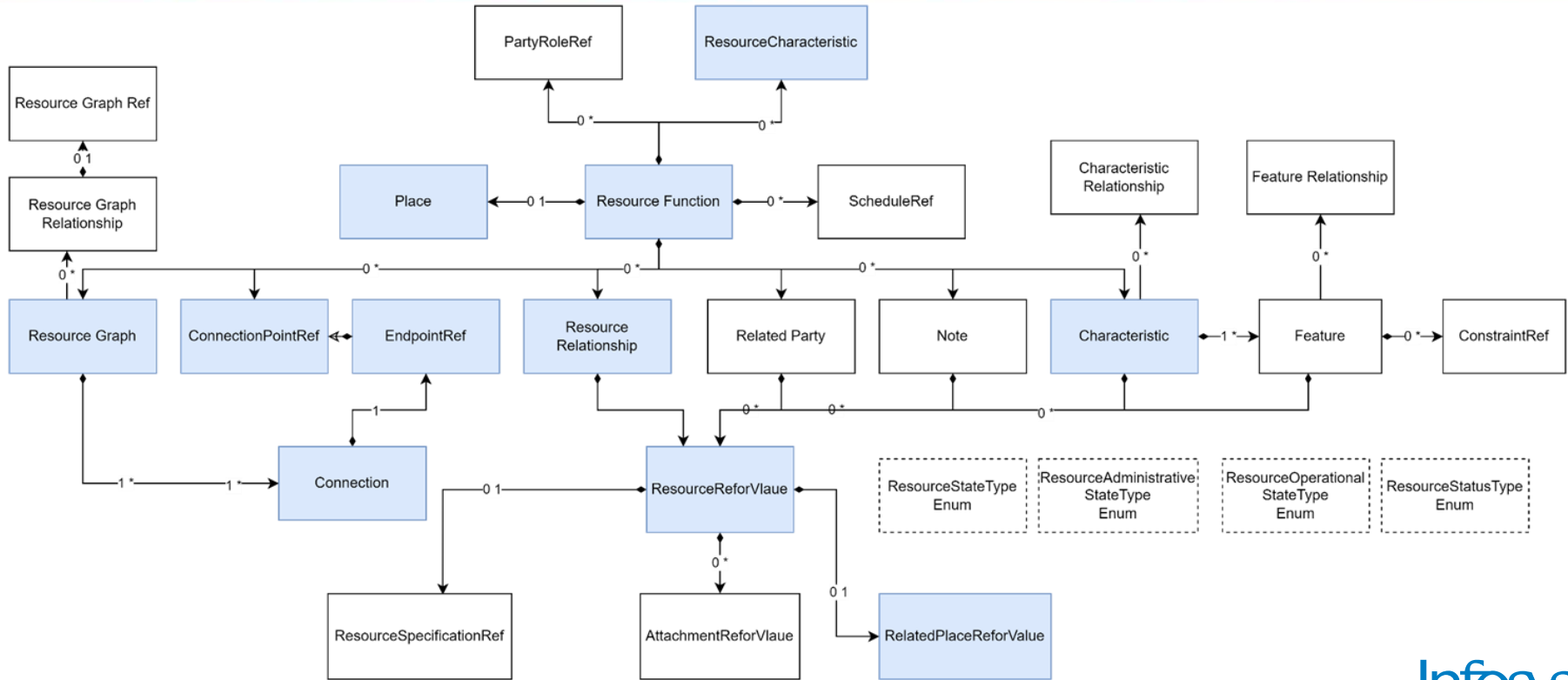
- Nephio is currently performing individual Network Function Lifecycle management in Closed-Loop mode in Edge clusters using NF specific Operators acting like VNF Managers
- NFTopology support will add elements of NS Lifecycle management to it; however NFTopology based approach has unique characteristics:
 - NFTopology schema defines modeling of Network Functions connected through Networks and Connection Points (Design Time modeling usually defined through NS Descriptor)
 - NFTopology CR triggers the Creation/Instantiation of composed Network Functions (Run Time operations usually performed via NF Lifecycle operations)

Nephio – Current Functional Scope and Proposed NBI Integration



- [TM Forum 664 Open APIs](#) are used for the provisioning and lifecycle management of Resource Function (RF) in accordance to Use Cases described in [TR255 Resource Function - Activation and Configuration](#) specifications of TM Forum.
- This API allows users to request creation of a composite RF composed of several other atomic or composite resources and connected in a topology.
 - A resource function specification describes features and characteristics of the composite RF as well as the required component resources, their roles and the adjacency relationships among the component resources.
- Both intent-based and detailed-based options are defined for configuration of resource functions
- The API supports following http operations on following resources
 - Resource Function – entity to transform inputs of any nature into outputs of any nature independently from the way it is provided.
 - Monitor – entity for monitoring of resources
 - Heal - Task Resource used to request healing of a Resource Function.
 - Scale - Task Resource used to request scaling of a Resource Function.
 - Migrate - Task Resource used to request migration of a Resource Function.

Resource Function Schema



Elements suitable for NF Topology Mapping

NBI Adapter REST APIs – Implementation Options

ETSI SOL005

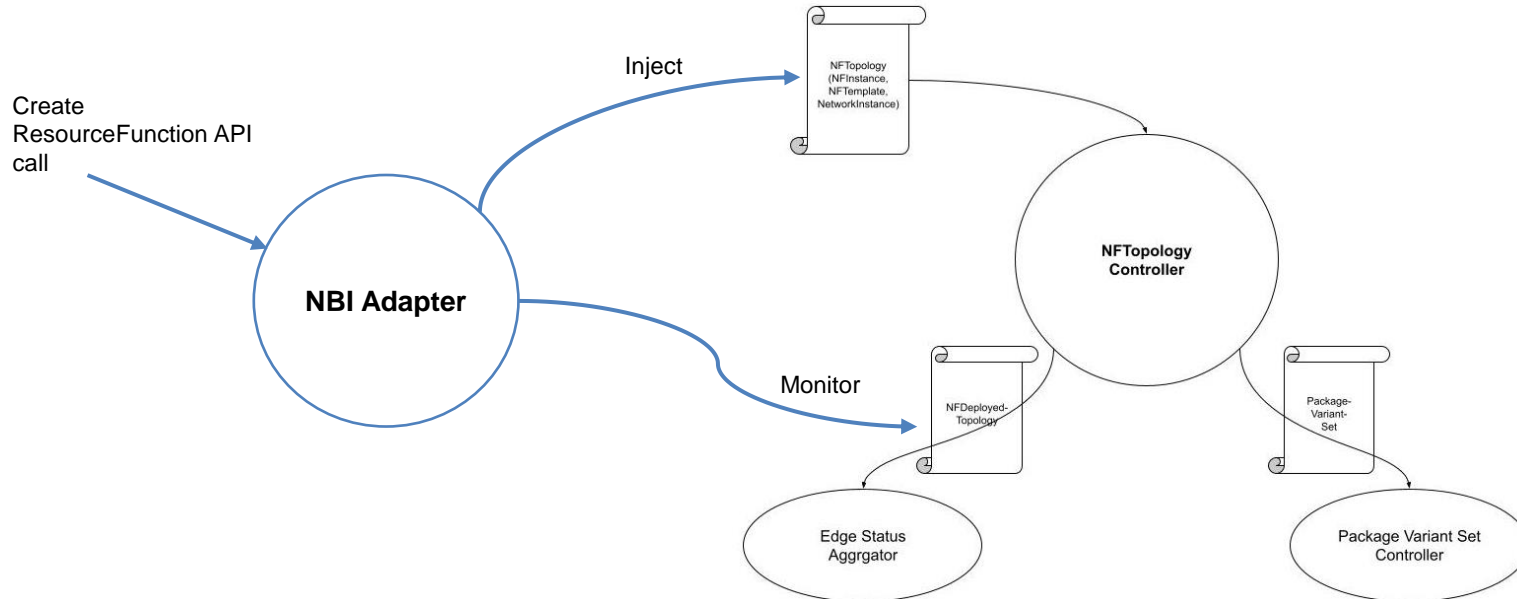
- Network Service is composed of Network Functions connected together
- Network Service Topology is Design-time activity, modeled using TOSCA (as per SOL001 specs)
- API groups covering all aspects of Network Service i.e. Package, Lifecycle, Fault, Perf management
- Network Service Lifecycle operations cover Create, Instantiate, Terminate, Delete, Scale etc. operations including Async Status Notifications

TMForum 664

- Resource Function can represent both Network Function and Network Service; Resource Function can have child Resource Functions
- Resource Function Topology defined Run-time, represented through the relations between RFs and Connectivity in API Payload
- API groups covering only Resource Function lifecycle management aspects
- Resource Function API group supports Create and Delete operations while Scale and Notifications are supported via other API groups

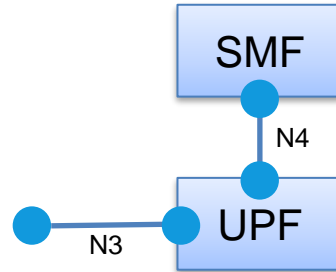
Nephio NBI Adapter

- Will expose Rest APIs aligned to TMF 664 Open APIs specifications (Resource Function Activation)
- Will support Resource Function, Monitor, Scale and Notification API groups
- Will convert Resource Function elements in Create API into CR and allows monitoring its status



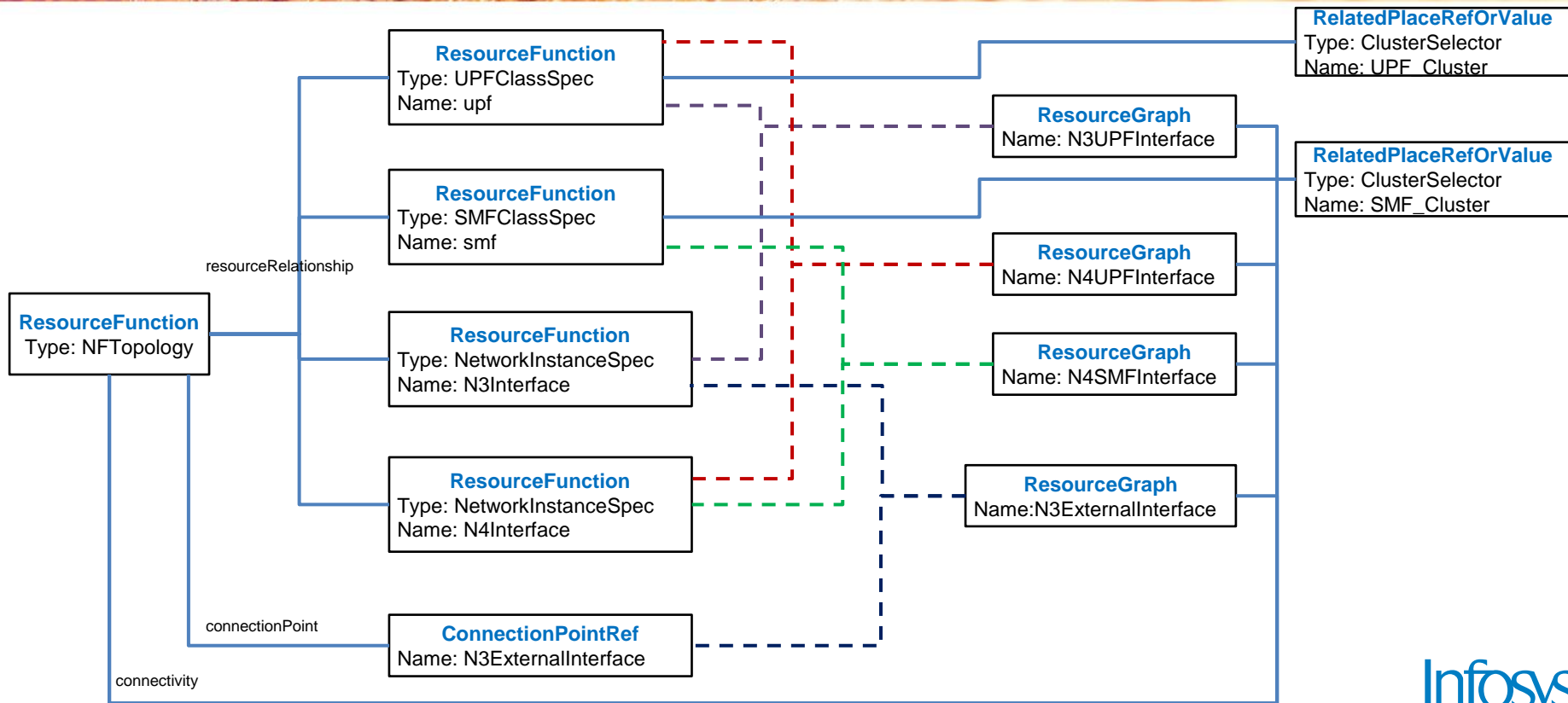
ResourceFunction Create payload for Free5GC Topology

- Basic NFTopology consisting of Free5GC with only UPF and SMF has been considered for this example payload as shown below



SampleCreateAPI
Payload.json

ResourceFunction Create payload – Json Elements Structure



Proposed Nephio NBI Adapter – Valid 664 Operations

Resource Function	GET /resourceFunction?fields=...&{filtering}
	GET /resourceFunction/{id}?fields=...&{filtering}
	POST /resourceFunction
	PATCH /resourceFunction/{id}
	DELETE /resourceFunction/{id}
Monitor	GET /monitor?fields=...&{filtering}
	GET /monitor/{id}?fields=...&{filtering}
Scale	GET /scale?fields=...&{filtering}
	GET /scale/{id}?fields=...&{filtering}
	POST /scale
Notifications	POST /hub
	DELETE /hub/{id}
	POST /client/listener

Thank you

A background image of a golden wheat field under a bright, hazy sky. The wheat stalks are in sharp focus in the foreground, creating a sense of depth and texture. The overall color palette is warm, dominated by yellows and oranges.

OLF

NETWORKING

LFN Developer & Testing Forum