



Modeling/etc catalog Overview

- Catalog & Generic parser service

Yuanhong Deng
CMCC

2020-01-15

Modeling/etsicatalog

- **Overview:**

- Modeling/etsicatalog project provides package management service by Micro Service. It can be used to store packages distributed by SDC, which then can be consumed by other projects or components, such as UI, VF-C, SO, etc. It also includes a TOSCA parser which provides generic parser service.
- Wiki page: <https://wiki.onap.org/display/DW/Etsicatalog+Documentation>

- **Language:**

- Python3

- **Repo:**

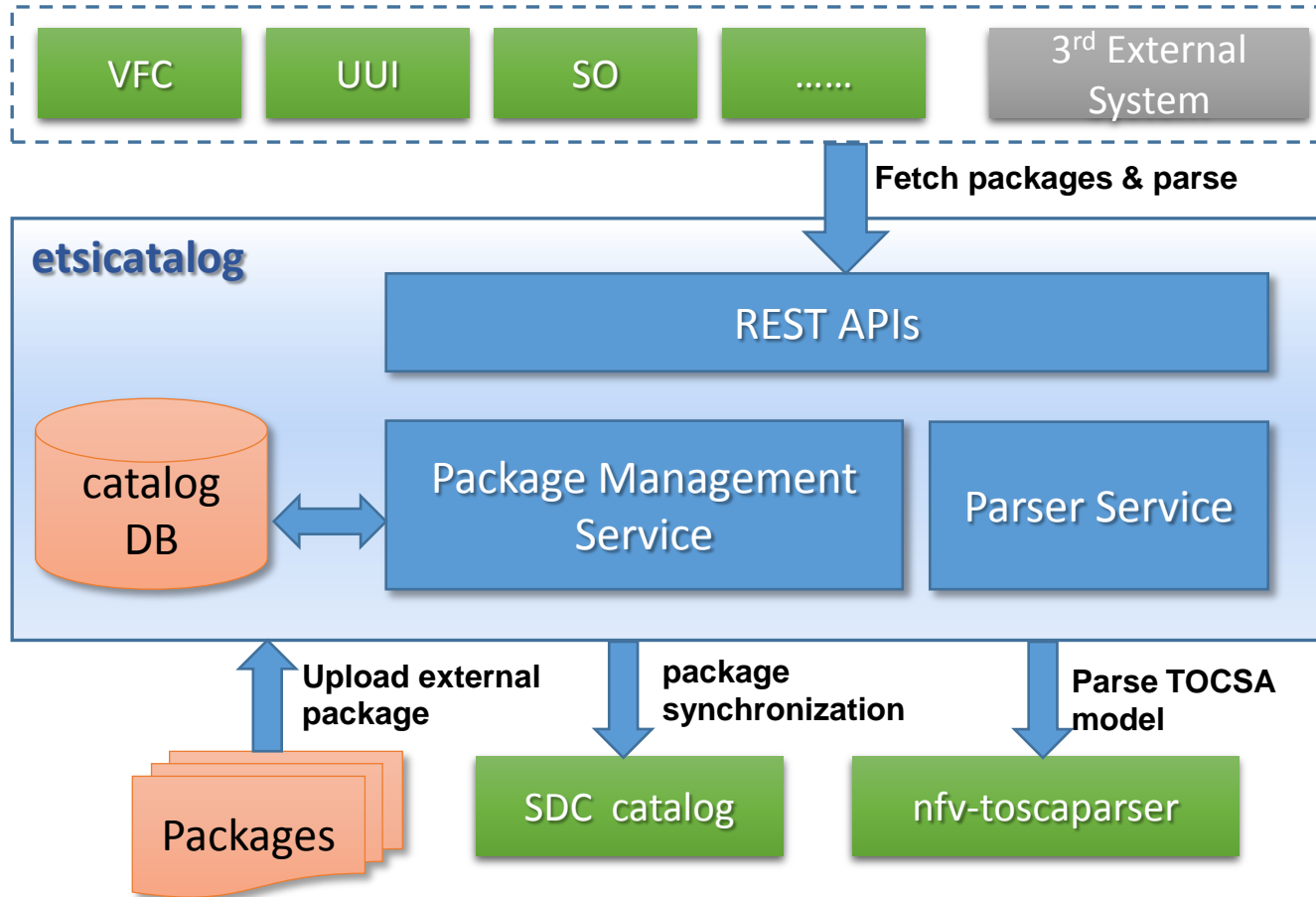
- <https://gerrit.onap.org/r/#/admin/projects/modeling/etsicatalog>

- **Usage:**

- as Micro Service

Architecture

Etsicatalog is a standalone web application based on python3 and Django framework.

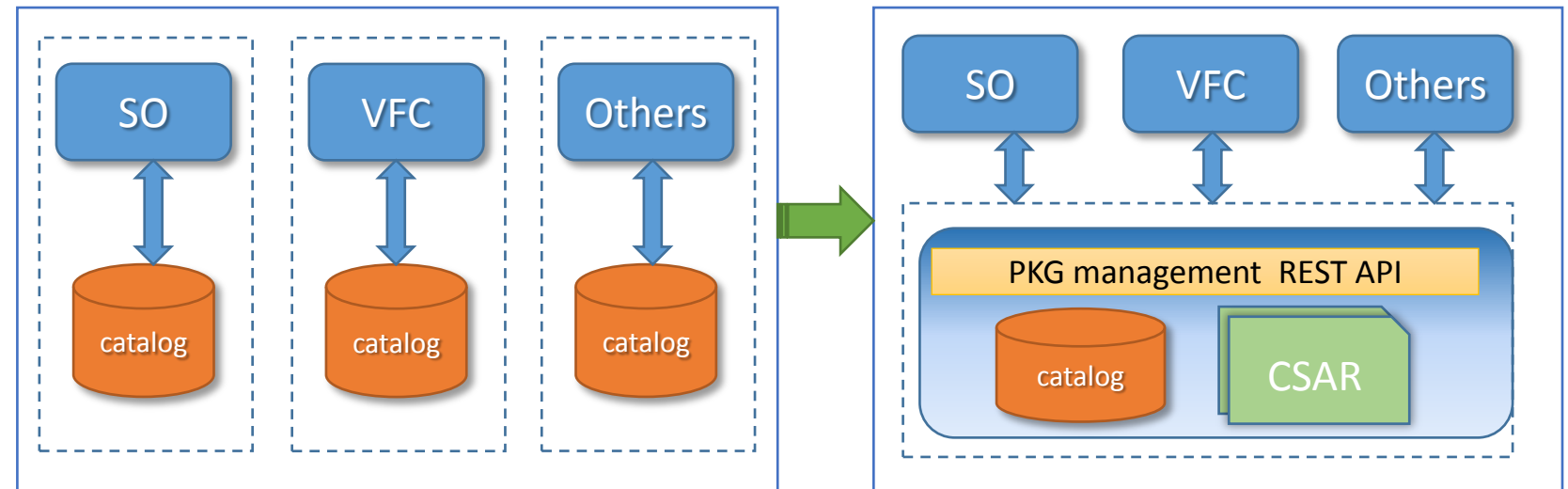


Package Management Service

- Provide basic package management function.
 - Package synchronization with SDC Catalog
 - Package Storage for NS/VNF/PNF/Service
 - NSD/VNFD management API align with SOL003/005

- Advantage

- Unified Storage
- Unified Management
- Micro Service



Parser Service

- Fetch package from SDC

```
curl -X POST 'http://192.168.235.44:30280/api/catalog/v1/service_packages' \
-H 'Content-Type: application/json' \
--data-raw '{
  "csarId": "c4f909f3-b8f3-45eb-bd8d-249934cee300"
}'
```

- Parse package

```
curl -X POST 'http://192.168.235.44:30280/api/parser/v1/parser' \
-H 'Content-Type: application/json' \
--data-raw '{
  "csarId": "c4f909f3-b8f3-45eb-bd8d-249934cee300",
  "inputs": "",
  "packageType": "Service"
}'
```

Parser result in JSON format



```
object {9}
  inputs {2}
    vpnresourcev2 [3]
    siteresourcev2 [12]
  pnfs [0]
  description:
  service {5}
    type: org.opencomp.service.Ccvpnservicev2
    requirements {10}
    properties {5}
    capabilities {11}
    metadata {13}
  graph {2}
    basepath: c:\\users\\cmcc\\appdata\\local\\temp
              \\tmpcatdnq\\Definitions
  vnfs [2]
  vls [0]
  metadata {13}
```

Provided APIs

Interface Name	Interface Definition	Interface Capabilities
etsicatalogAPIE-1	Catalog API <code>/api/catalog/v1/</code>	Provides catalog management interface: <ul style="list-style-type: none">• fetch VNF package from SDC• fetch NS package from SDC• fetch Service package from SDC• search VNF/NS/Service package
etsicatalogAPIE-2	NSD Management API <code>/api/nsd/v1</code>	Provides NSD management interface (Align with ETSI SOL-005) <ul style="list-style-type: none">• Create NSD Info• Upload NSD• Query NSD Info• Fetch NSD• Delete NSD• Create PNFD Info• Upload PNFD• Query PNFD Info• Fetch PNFD• Delete PNFD• Subscribe & Notify

Provided APIs

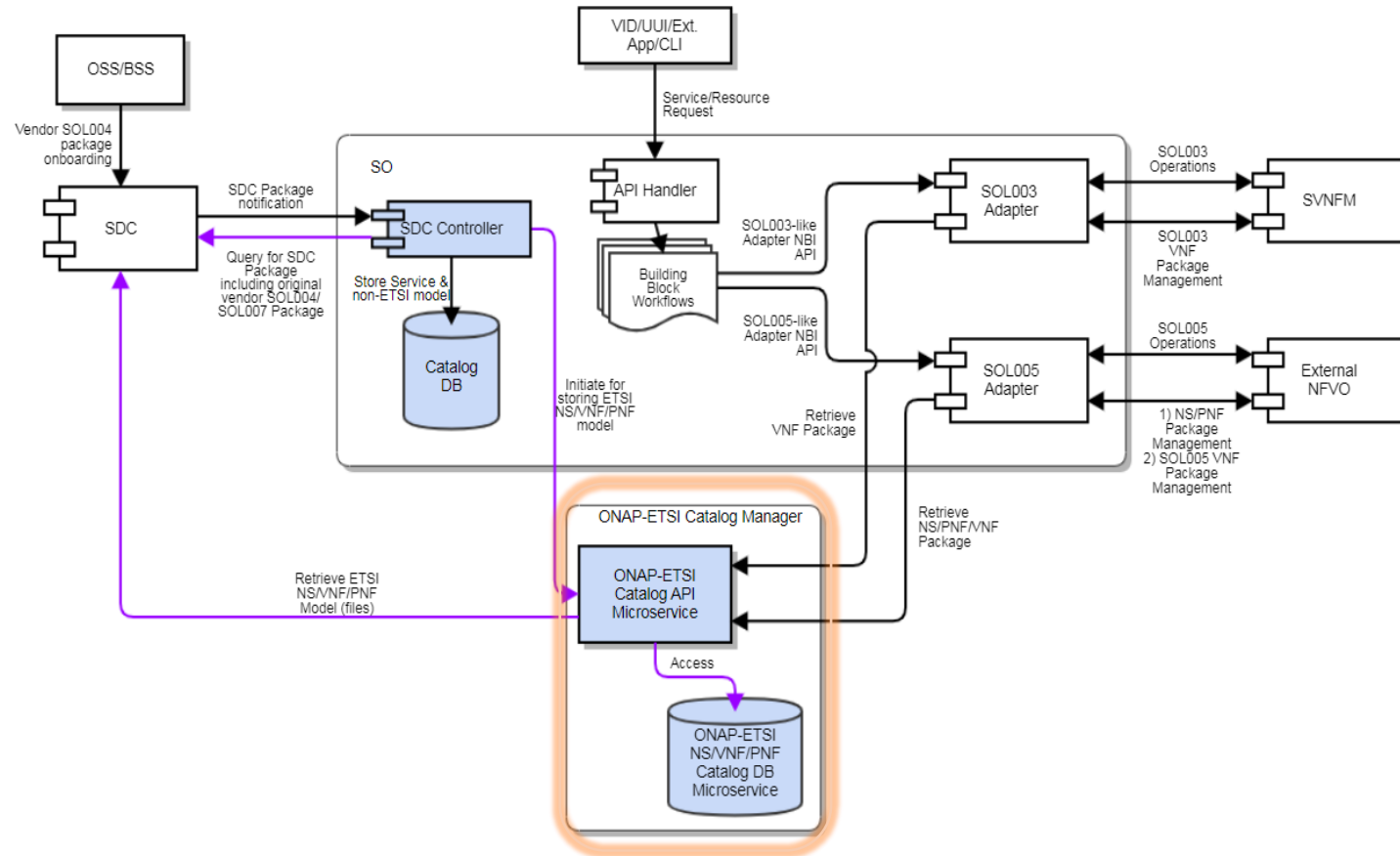
Interface Name	Interface Definition	Interface Capabilities
etsicatalogAPIE-3	VNF Management API /api/vnfpkgm/v1	Provides VNF management interface (Align with ETSI SOL-003) <ul style="list-style-type: none">• Create VNF Package Info• Upload VNF Package• Query VNF Package Info, include obtaining the VNFD• Fetch VNF Package• Fetch VNF Package Artifacts• Delete VNF Package• Subscribe & Notify
etsicatalogAPIE-4	Parser API /api/parser/v1/	Provides Parse interface: <ul style="list-style-type: none">• Parse VNF package• Parse PNF package• Parse NS package• Parse Service package
etsicatalogAPIE-5	Health Check API	Provides Health Check interface.

Consumed APIs

Interface Name	Interface Definition	Interface Capabilities
SDCE-6	SDC Interface api/sdc/v1/catalog	An interface to receive resource Templates from SDC design catalog <ul style="list-style-type: none">• Get services• Get single service• Get resources• Get single resource• Fetch CSAR package
MSBE-1	Micro Service Bus Interface /api/microservices/v1/services	An interface for registration and discovery with the ONAP Micro Service Bus <ul style="list-style-type: none">• Register service to MSB

Update in Frankfurt release

- Support SO ETSI Catalog requirements
 - Provides APIs for SO to store ETSI packages
 - Supports the **ONBOARDED_PACKAGE** directory for the original vendor ETSI package extraction
 - Provides APIs for the SOL003/SOL005 Adapter to retrieve the original vendor VNF packages
 - Provides APIs for the SOL005 Adapter to retrieve the original vendor NS/PNF packages

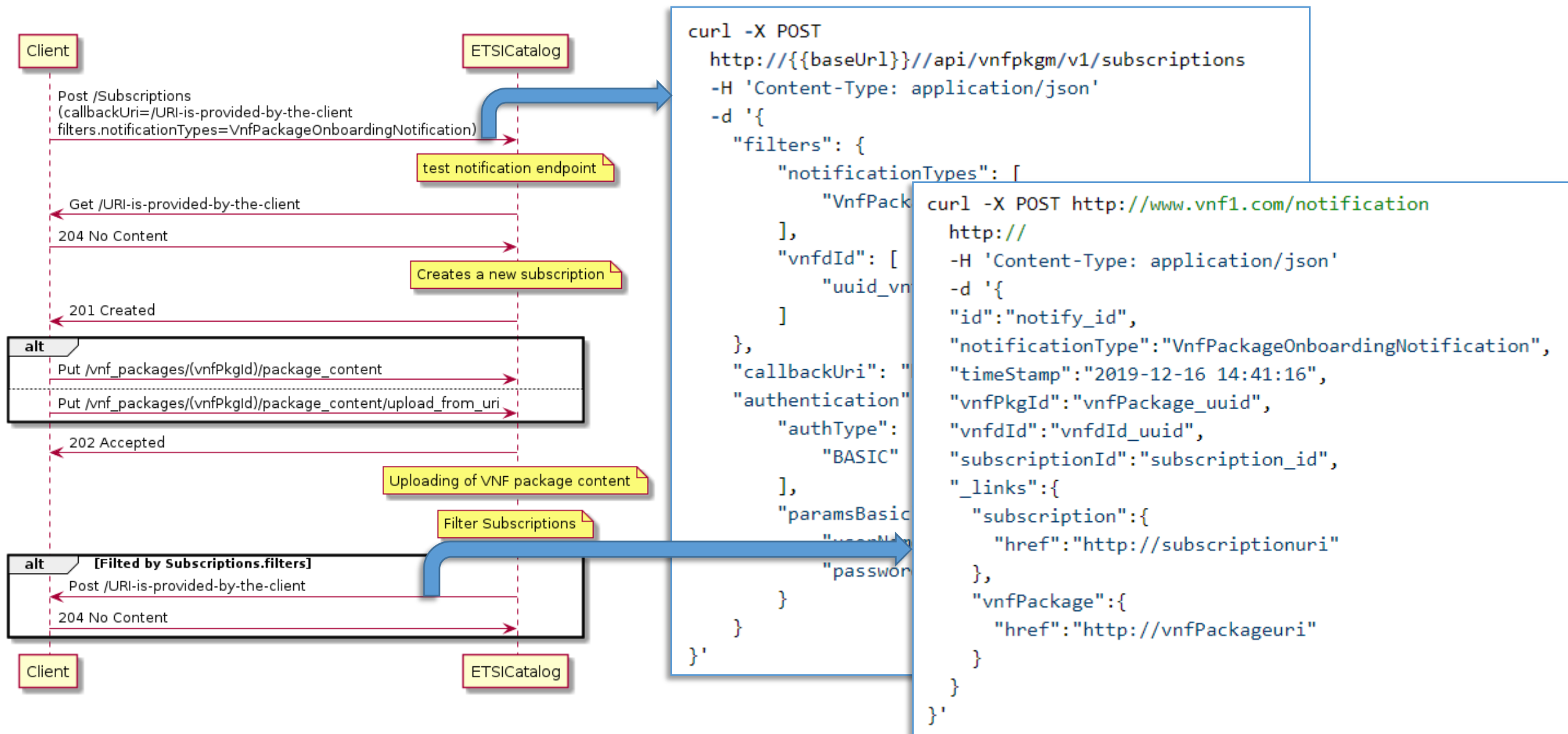


Wiki page: <https://wiki.onap.org/display/DW/ETSI+Alignment+Support>

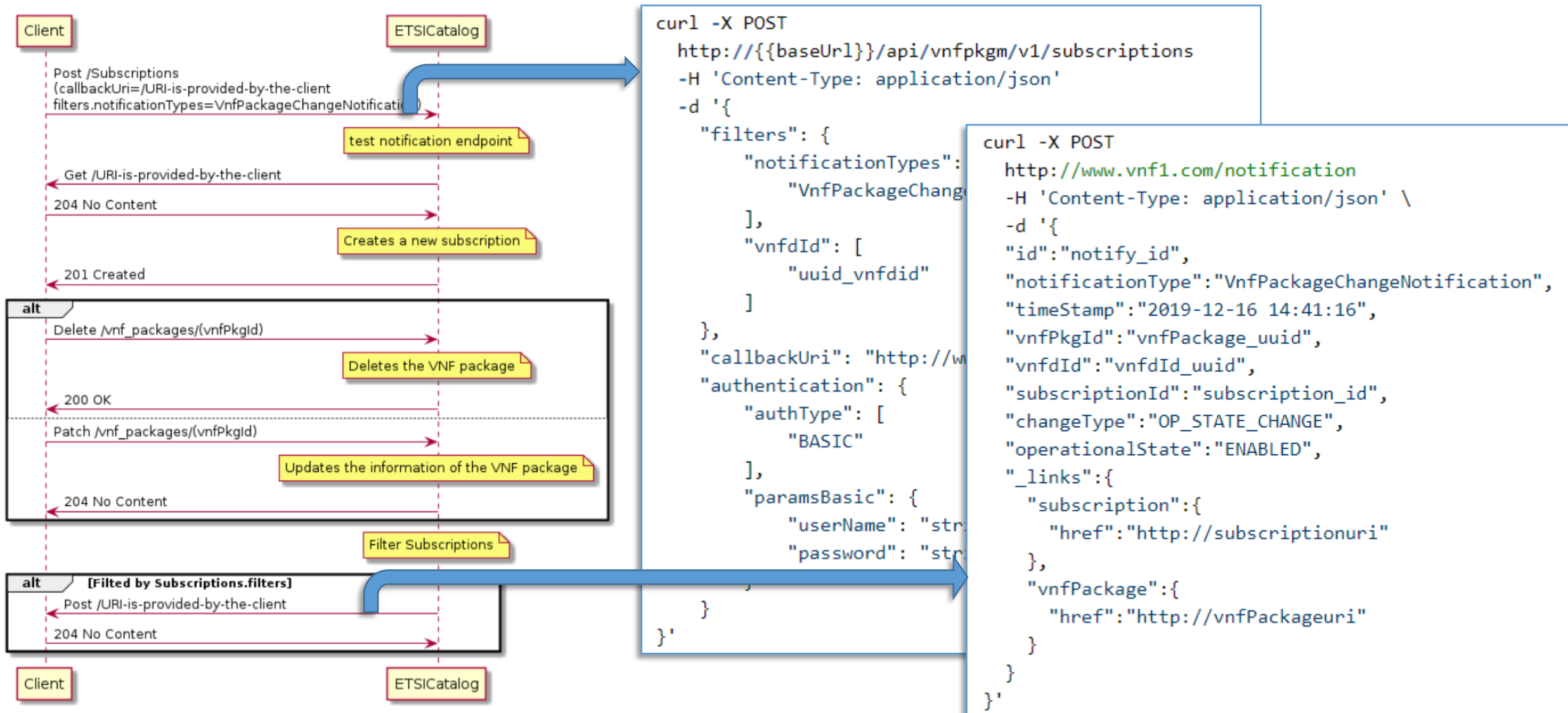
Update in Frankfurt release

- Subscribe and Notify on VNF package
 - Category:
 - VNF Package Onboarding
 - VNF Package Change
 - Limitation:
 - Authentication parameters to configure the use of Authorization when sending notifications corresponding to this subscription is provided in the payload, however is not supported by now.
 - There are 3 filters provided in subscription request: VnfPackage's vnfdId / vnfPkgId / vnfProductsFromProviders

VNF Package Onboarding



VNF Package Change



Update in Frankfurt release

- Update Python
 - Python2 -> Python3
 - Update other depended third-party Libraries to corresponding version
- Resolve Vulnerability Issue
 - Update Django version
 - Update.djangorestframework
- Support HTTPS



ONAP

OPEN NETWORK AUTOMATION PLATFORM

THANK YOU